

POS-335

Essae®  
...for Excellence



## SlimPOS

Spill and Dust proof design in front bezel (IP-44)  
ideal for retail and hospitality environment

FANLESS design  
Sturdy and Robust base  
Low power consumption with Intel Atom CPU  
HDD inside of base, easy for maintenance

Screen tilting angle up to 90 degree vertically

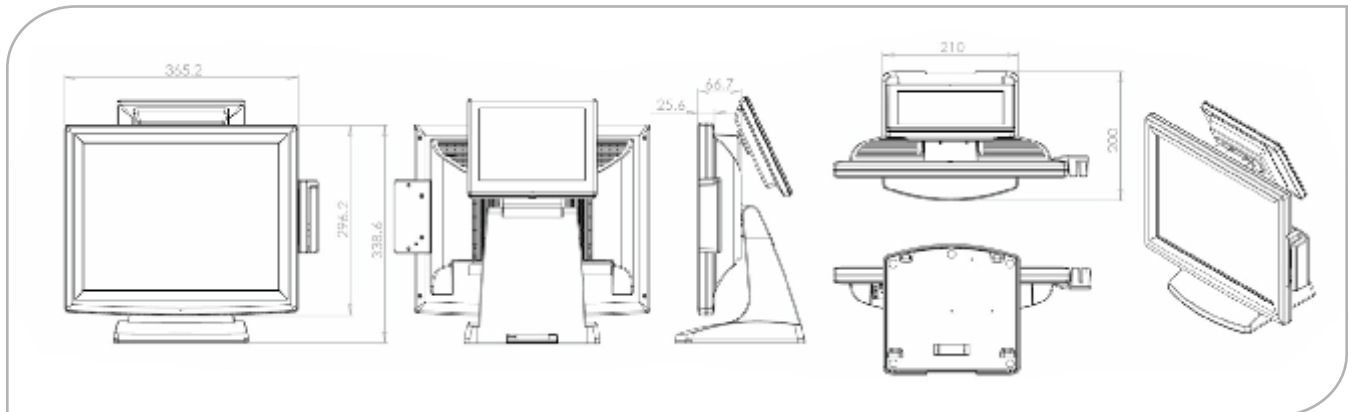
6 wire Resistive touch  
Optional detachable MSR

Optional VFD customer display

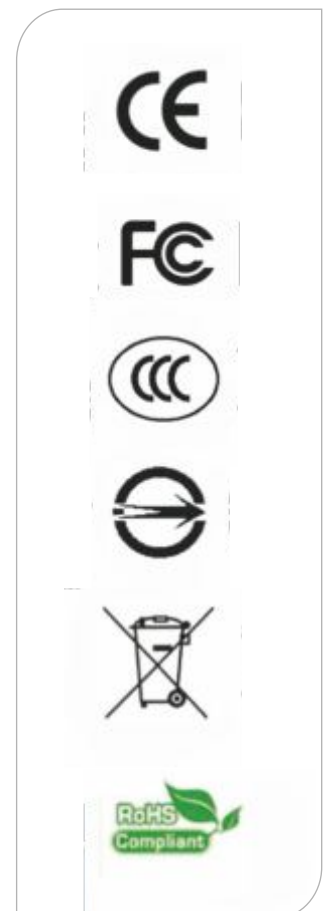


# SlimPOS

## Dimensions



Model	POS-335 SlimPOS
CPU	Intel Atom N270 processor 1.6GHz FANLESS
Core Logic	Intel 945 GSE + ICH7M
System Memory	1 GB (expandable to 2 GB)
Graphic Memory	Intel GMA 950 share system memory up to 224 MB
LCD Panel	15"
Brightness	250 nits (typ)
Optimal Resolution	1024 * 768
Touch Technology	6 wire Resistive
Storage	2.5" SATA HDD
USB	4
Serial / COM	4 * RJ-45(COM 3 / COM 4 with 5V / 12V power)
LAN (10/100/1000)	1
VGA	1 * DB15F
Cash Drawer	1 (support 12V / 24 V)
DC Jack	1 * DC 19V, 1 * DC 5V
Power Button	1
ESATA	1
Power Adaptor	External 65W 19V 3.4A
Mounting	VESA 75 * 75mm
Weight	5.2 Kgs
Physical Dimention	(W) 365.2 * (H) 338.6 * (D) 200mm
Warranty	1 Year
MSR (USB)	3 track (optional)
2nd Display (Serial)	20 x 2 VFD (optional)



### Essae-Teraoka Ltd

410, 100ft Road, 4th Block,  
Koramangala, Bengaluru- 560034

3021 3000

+91 80 3021 3001

info@essae.com

http://www.essae.com

1-800-425-3111

47 Branches

Factories in Bengaluru & Goa

300+ Resellers

Specifications are subject to change without notice. Other names & logos used are property of respective brands.